

Pro & Pro-Plus Vertical Beater Range of Rear Discharge Spreaders



Proven reliability in the most demanding environments around the world

Rear discharge spreaders capable of handling a variety of materials



HIGH QUALITY DESIGN AND BUILD FEATURES



**Dynamically
Balanced Beaters**



**Fixed
Drawbar**



**Sprung
Drawbar**



Pro 10000-Compact is a short flared body design for greater turning ability while still maintaining large carrying capacity



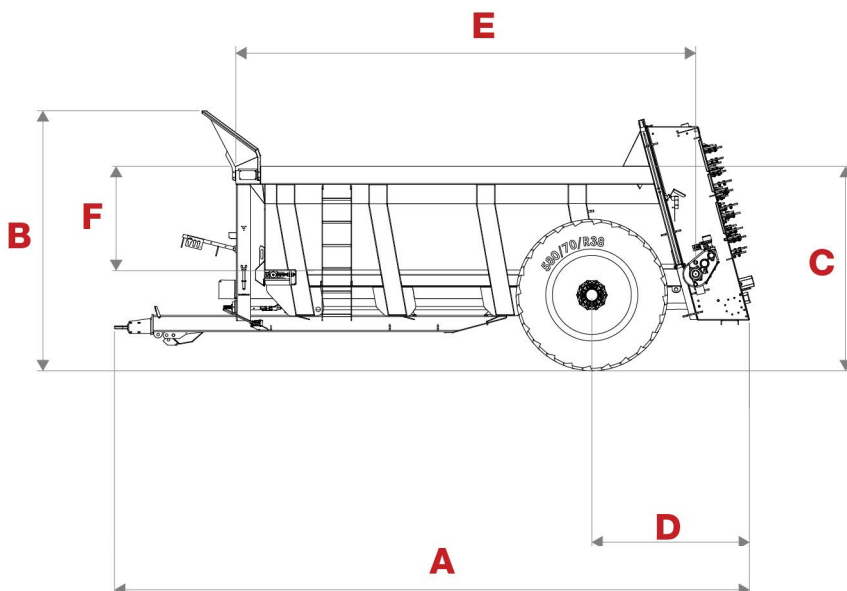
Robust Hydraulically Driven Chain Floor Design

- Agri-Spread's floor drive, twin beater design and driveline offer farmers and contractors the ability to handle a wide variety of farm yard manures or bulk products efficiently while consistently giving an accurate spread pattern across the range of products.
- Agri-Spread's investment in quality warrant that all machines are shot blasted, two pack painted and oven baked, thereby ensuring a high quality finish for years to come. Agri-Spread pride themselves on quality and offer their customers a spreader that will hold its residual value in the years to come.
- The new Vertical Beater Pro range comes in a range of capacities, from 6 to 12 Tonne and offer numerous optional extras to assist the customer in achieving all their spreading requirements efficiently and accurately.

Pro Standard Features

- Agri-Spread's monocoque body design enables a consistent flow of material to the beaters ensuring that an even and accurate spread pattern is obtained no matter the type of material.
- Agri-Spread's in-house beater design use a 12mm reversible Boron tip, high tensile stepped spiral pattern, heavy duty S355 Tube to offer the most robust twin beater on the market. Each rotor is dynamically balanced at the Agri-Spread factory.
- Agri-Spread's beaters rotate on the 1000 PTO gearbox at a speed of 420rpm.
- Heavy duty 16mm Grade 80 Marine chain is used on the Hydraulically driven chain floor design. A pre-set cross flow relief valve is used on the floor drive to eliminate damage to the floor drive and beater drive mechanism due to foreign objects.
- Agri-Spread use a range of axles to optimise ground clearance, using 406 x 120 S-Cam brakes* for effective braking on road and field use when running full or empty.
*Pro - 6000 uses a 400 x 80 brake
- Large Diameter wheels as standard across the range of models offer excellent floatation in all types of conditions.

MODEL	Pro - 6000		Pro - 9000		Pro - 10000		Pro - 10000 COMPACT		Pro - 11000		Pro - 12000	
SPECIFICATION												
CAPACITY (tons)	6		9		10		10		11		12	
VOLUME - LEVEL FILLED (m3)	5.7		8.6		9.6		9.6		10.4		11.8	
VOLUME - LEVEL EXTENSION (m3)	7.3		10.7		12.9		12.9		12.7		14.3	
VOLUME - MAX. HEAPED (m3)	9.9		15.2		17		17		17.3		19.5	
STANDARD WHEELS	460/85 R38		520/85 R38		520/85 R38		520/85 R38		520/85 R38		580/70 R38	
AXLE BEAM (mm)	90 x 90		120 x 120		120 x 120		120 x 120		120 x 120		120 x 120	
AXLE STUD/BRAKE SIZE (mm)	8 stud/400 x 80		10 Stud/406 x120		10 Stud/406 x120		10 Stud/406 x120		10 Stud/406 x120		10 Stud/406 x120	
NO. OF FLOOR CHAINS/ CHAIN SIZE	2/16 mm Grade 80		2/16 mm Grade 80		2/16 mm Grade 80		2/16 mm Grade 80		2/16 mm Grade 80		2/16 mm Grade 80	
FLOOR SHAFT DIAMETER (mm)	50 High tensile		50 High tensile		50 High tensile		50 High tensile		50 High tensile		50 High tensile	
PTO INPUT (RPM)	1000		1000		1000		1000		1000		1000	
POWER REQUIREMENT (hp)	85		100		100		100		115		130	
UNADEN WEIGHT (kg)	4,180		4580		5080		4650		4890		5190	
MEASUREMENTS (mm/ft)	mm	ft	mm	ft	mm	ft	mm	ft	mm	ft	mm	ft
(A) OVERALL LENGTH	6,060	19' 9"	7010	23'	7610	25' 2"	6425	21'	7090	23' 2"	7660	25' 1"
(B) OVERALL HEIGHT	2690	8' 8"	2945	9' 7"	2945	10' 1"	3075	10'	3135	10' 7"	3135	10' 3"
(C) LOADING HEIGHT	2020	6' 6"	2275	7' 5"	2220	7' 3"	2430	8'	2420	7' 9"	2465	8'
(D) REAR OVERHANG	1670	5' 5"	1900	6' 3"	1900	6' 3"	1775	5' 8"	1900	6' 3"	1900	6' 3"
(E) INTERNAL LENGTH	3950	12' 9"	4900	16'	5500	18' 2"	4345	14' 2"	4950	16' 2"	5550	18' 2"
(F) INTERNAL HEIGHT	875	2' 10"	1050	3' 5"	1050	3' 5"	1250	4' 1"	1250	4' 1"	1250	4' 1"
OVERALL WIDTH	2810	9' 2"	2870	9' 4"	2870	9' 2"	2930	9' 6"	2870	9' 4"	2930	9' 6"
LOADING WIDTH	2000	6' 6"	2100	6' 11"	2100	6' 11"	2510	8' 2"	2200	7' 3"	2200	7' 3"
INTERNAL WIDTH	1500	4' 9"	1500	4' 9"	1500	4' 9"	1500	4' 9"	1500	4' 9"	1500	4' 9"





PRO-PLUS

Continuing from the success of the Pro range, Agri-Spread are now offering the latest range of spreaders for contractors and large scale operators.



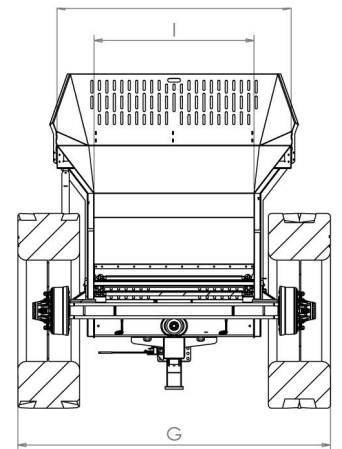
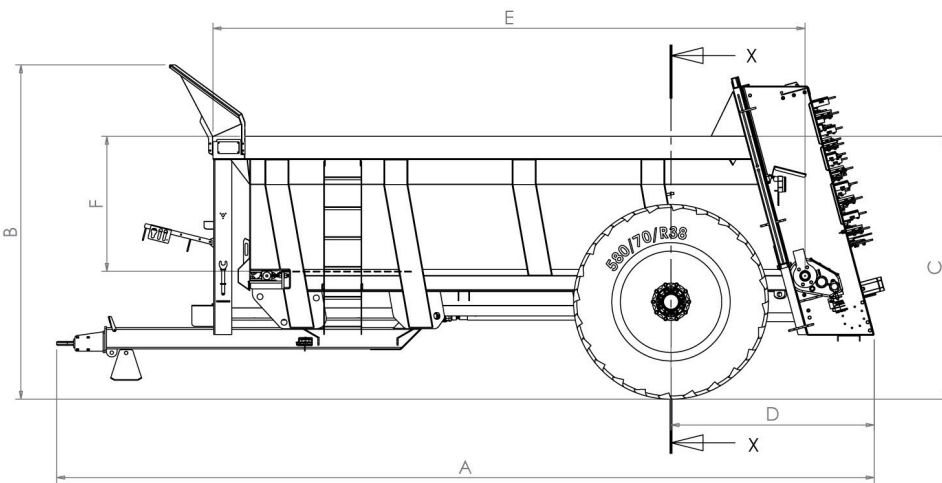
The range complements the existing Pro range by offering models in 14, 16 and 18 Ton capacity.

- 1600mm wide floor
- Calibrated 20mm Grade 80 High tensile floor chains
- High tensile rear floor shaft
- Larger Heavy duty Boron Beaters, Boron Tips and Boron Paddles
- Wide diameter (865mm) individually balanced augers
- Large diameter paddles for widespread applications (1200mm)
- Replaceable Hardox wear panels on spreading deck
- Heavy duty gearbox and driveline
- 150mm Square Heavy duty commercial Axle
- Torque Cam Clutch as standard



PRO-PLUS

MODEL	PRO-PLUS 14000		PRO-PLUS 16000		PRO-PLUS 18000		
DESIGN CAPACITY (Kg)	14000		16000		18000		
VOLUME - LEVEL FILLED (m3)	13.00		14.8		16.8		
VOLUME - LEVEL EXTENSION (m3)	16.0		18.4		20.4		
VOLUME - MAX. HEAPED (m3)	21.5		23.7		25.6		
STANDARD WHEELS	580/70 R38		580/70 R38		650/65 R38		
AXLE BEAM (mm)	150 x 150		150 x 150		150 x 150		
AXLE STUD/BRAKE SIZE (mm)	10 stud/420 x 180		10 stud/420 x 180		10 stud/420 x 180		
NO. OF FLOOR CHAINS/ CHAIN SIZE	2/20 mm Grade 80		2/20 mm Grade 80		2/20 mm Grade 80		
FLOOR SHAFT DIAMETER (mm)	60mm High Tensile		60mm High Tensile		60mm High Tensile		
PTO INPUT (rpm)	1000		1000		1000		
POWER REQUIREMENT (hp)	130		150		160		
UNADEN WEIGHT (Kg)	7000		7300		7950		
SUSPENSION DRAWBAR	Optional		Standard		Standard		
MEASUREMENTS (mm/ft)	mm	ft	mm	ft	mm	ft	
	(A) OVERALL LENGTH (mm)	7800	25" 7'	8320	27" 3'	8320	27" 3'
	(B) OVERALL HEIGHT (mm)	3270	10" 8'	3270	10" 8'	3490	11" 5'
	(C) LOADING HEIGHT (mm)	2600	8" 6'	2600	8" 6'	2965	9" 8'
	(D) REAR OVERHANG (mm)	2350	7" 8'	2450	8"	2450	8"
	(E) INTERNAL LENGTH (mm)	5550	18"	6050	19" 10'	6200	20" 4'
	(F) INTERNAL HEIGHT (mm)	1350	4" 5'	1350	4" 5'	1650	5" 5'
	(G) OVERALL WIDTH (mm)	2930	9" 7'	2930	9" 7'	3105	10" 2'
	(H) LOADING WIDTH (mm)	2300	7" 6'	2300	7" 6'	2300	7" 6'
(I) INTERNAL WIDTH (mm)	1600	5" 3'	1600	5" 3'	1600	5" 3'	



SECTION X-X

Optional Equipment:



- Weigh cells and Isobus rate Controller
- A range of Isobus Terminals available
- In cab electric floor control
- Torque slip Clutch*

* Standard on Pro-Plus range

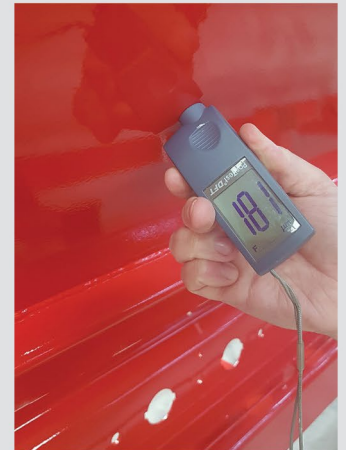
- Air Brakes
- Slurry door indicator
- Range of camera/light options
- Spoon Hitch

- Steel & Timber extension sides
- Spoon Hitch
- Mudguards
- Rear Rotor hood

- Screw Jack
- Wheel options
- Toolbox



Agri-Spread is a family owned and operated business based in Ireland with over 50 years engineering experience. Constantly innovating and designing new products, Agri-Spread International are a leader in the manufacture of trailed spreading equipment for manures, fertilisers, lime and bulk products



Agri-Spread's investment in quality



Agri-Spread International Ltd
Coolnaha, Ballyhaunis, Co. Mayo

Tel: +353 9496 31808
Email: info@agrispread.com
www.agrispread.com



PK Sales
UK ENQUIRIES: *(England/Scotland and Wales)*

Paul Kelloway
Tel: 07734 55 96 96
Email: paul@pksales.co.uk
www.pksales.co.uk